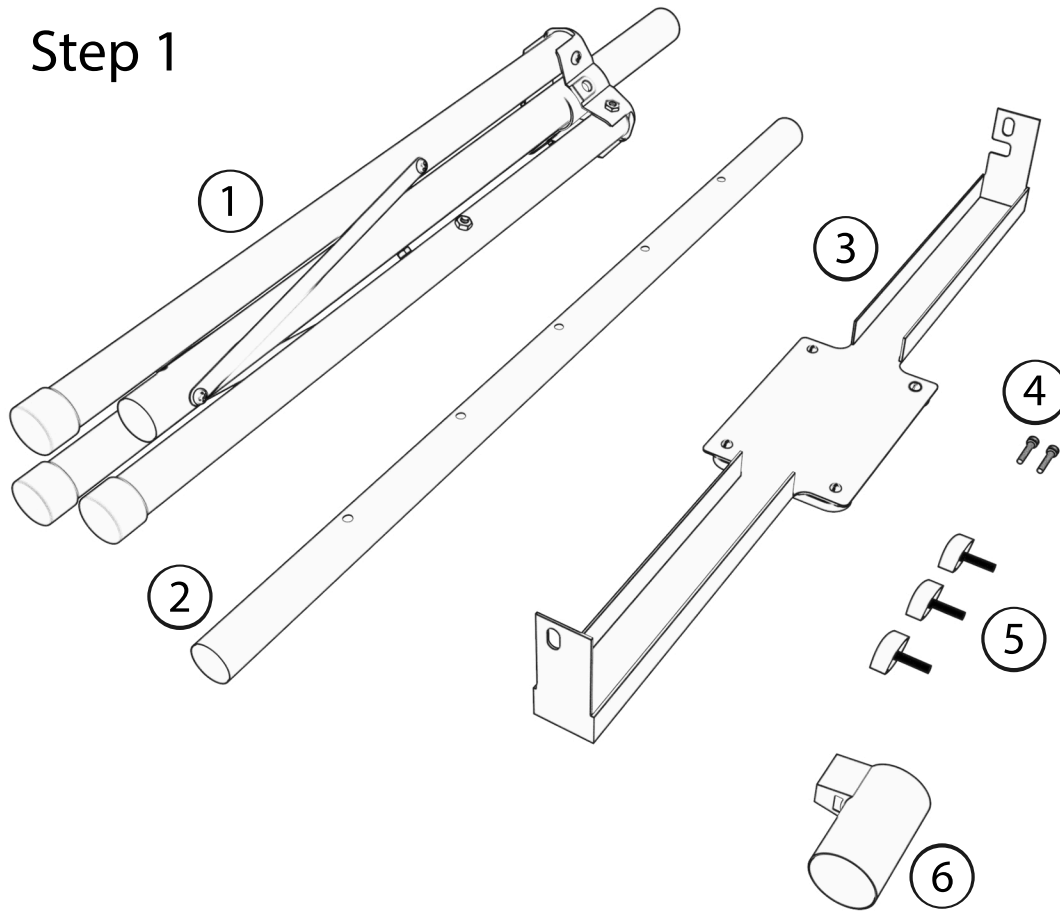


SYNERGEE[®]

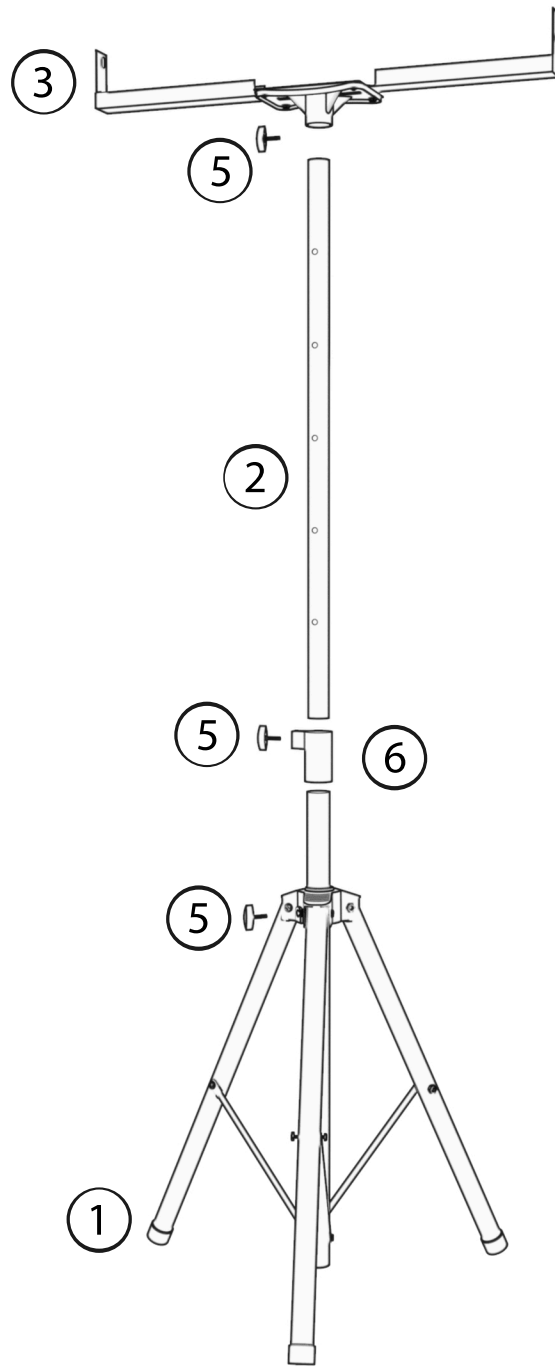
GYM TIMER STAND

Step 1



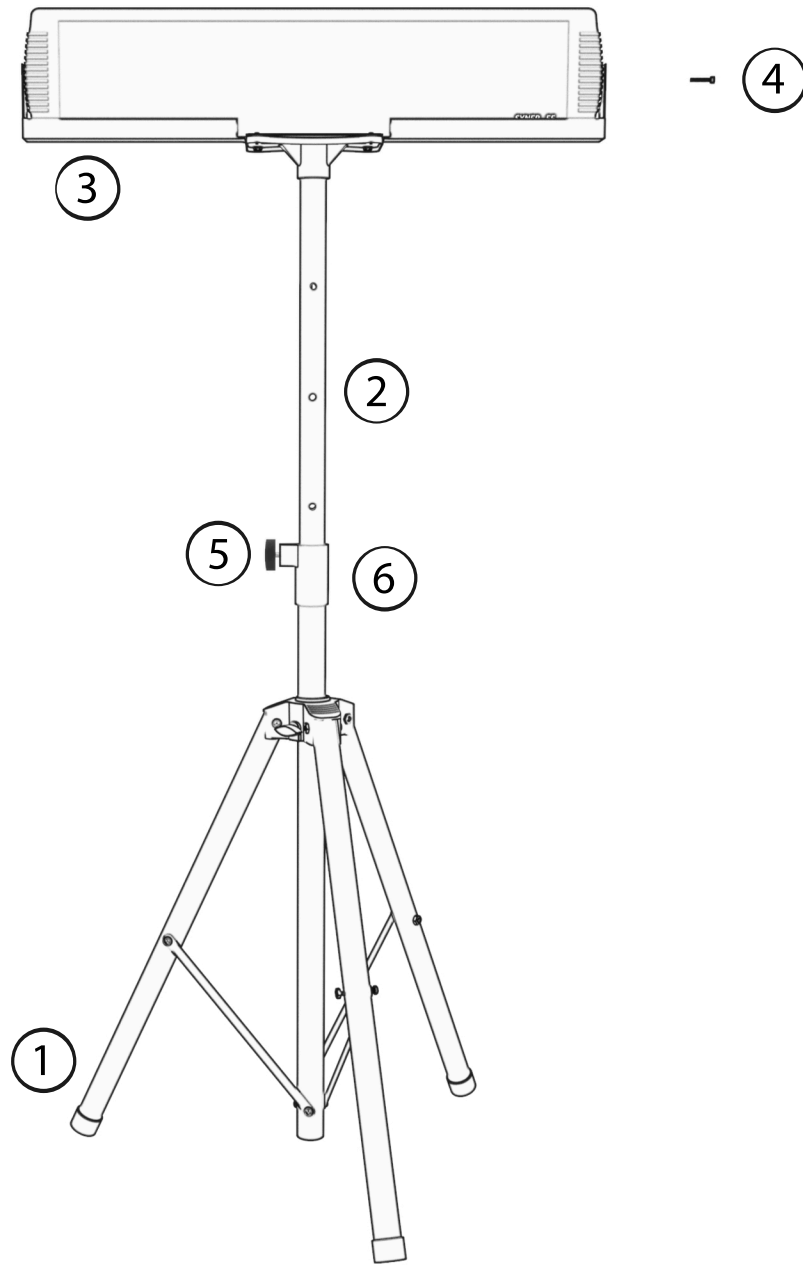
| No. | DESCRIPTION | Q'TY |
|-----|------------------|------|
| 1 | Leg Assembly | 1 |
| 2 | Central Pole | 1 |
| 3 | Timer Bracket | 1 |
| 4 | M6 x 25mm | 2 |
| 5 | Hand Screw | 3 |
| 6 | Central Fastener | 1 |

Step 2



| No. | DESCRIPTION | Q'TY |
|-----|------------------|------|
| 1 | Leg Assembly | 1 |
| 2 | Central Pole | 1 |
| 3 | Timer Bracket | 1 |
| 5 | Hand Screw | 3 |
| 6 | Central Fastener | 1 |

Step 3



| No. | DESCRIPTION | Q'TY |
|-----|------------------|------|
| 1 | Leg Assembly | 1 |
| 2 | Central Pole | 1 |
| 3 | Timer Bracket | 1 |
| 4 | M6 x 25mm | 2 |
| 5 | Hand Screw | 3 |
| 6 | Central Fastener | 1 |