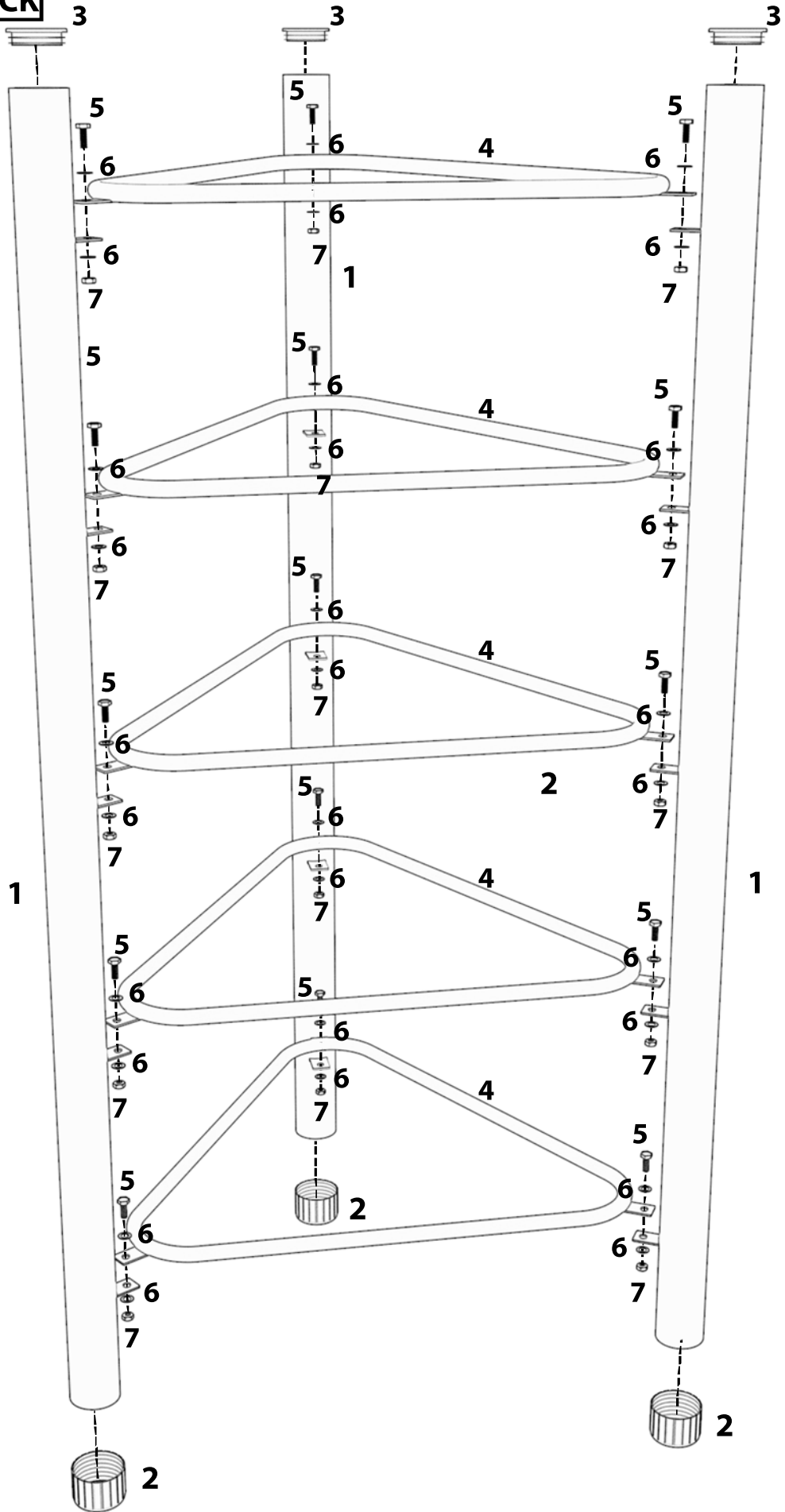
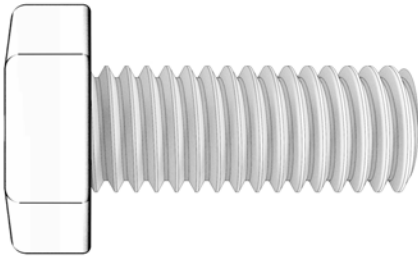


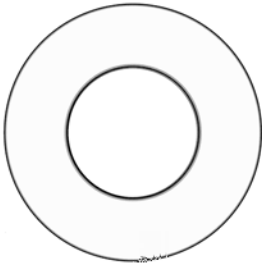
# SYNERGEE BOSU BALL RACK



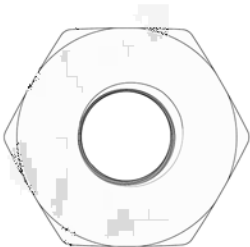
No.	Description	Qty
1	Main Upright	3
2	Rubber Feet	3
3	Upright Cap	3
4	Triangle Rack	5
5	Screw	15
6	Washer	30
7	Nut	15



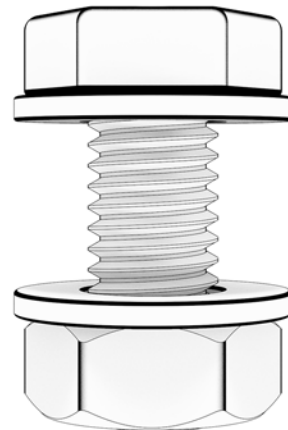
**M8\*20 (15pcs)**



**8(30pcs)**

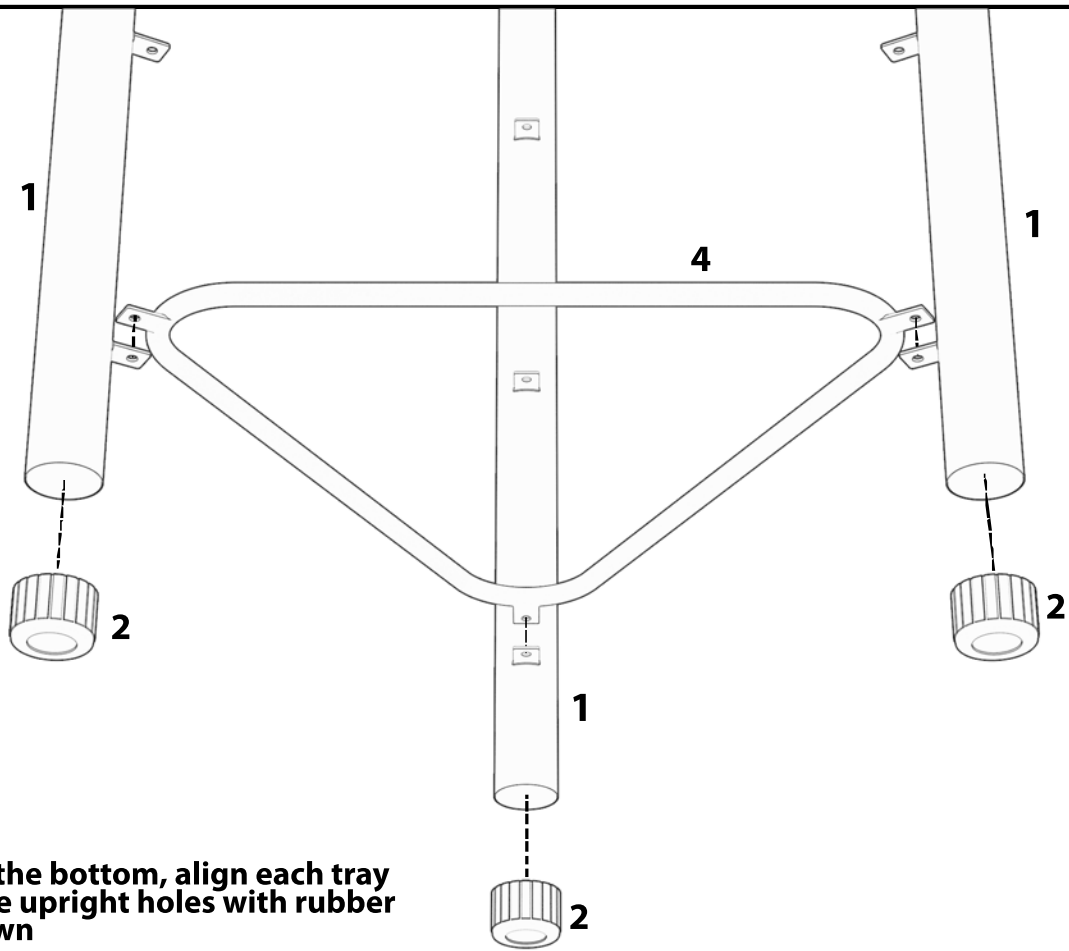


**M8 (15pcs)**



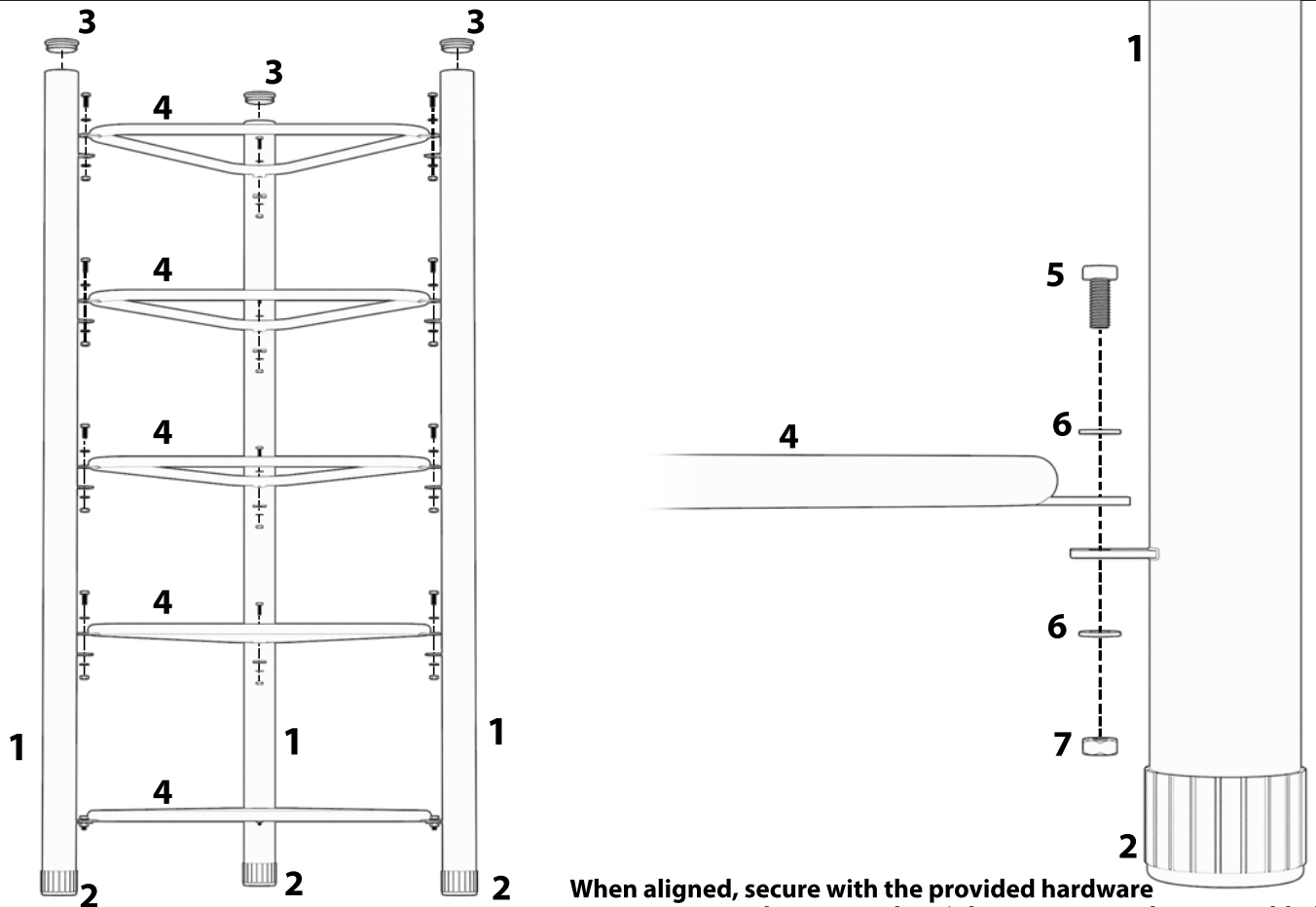
**IF ANY PIECES ARE MISSING, PLEASE CONTACT US IMMEDIATELY:  
CUSTOMERCARE@IHEARTSYNERGEE.COM OR 1.855.217.7136**

**1.**



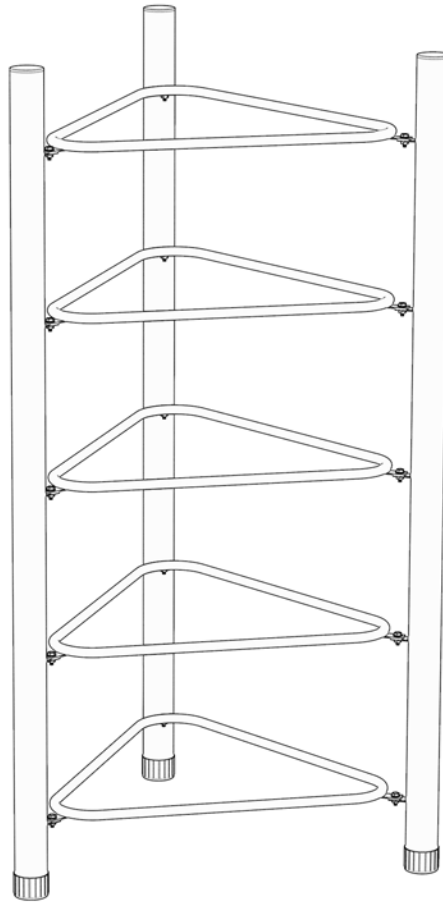
Starting from the bottom, align each tray corner with the upright holes with rubber feet facing down

**2.**



When aligned, secure with the provided hardware  
\*ensure that tray and uprights are secure when assembled

**3.**



**IF ANY PIECES ARE MISSING, PLEASE CONTACT US IMMEDIATELY:  
CUSTOMERCARE@IHEARTSYNERGEE.COM OR 1.855.217.7136**