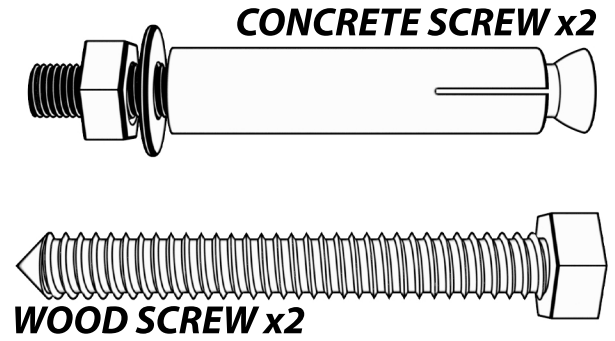
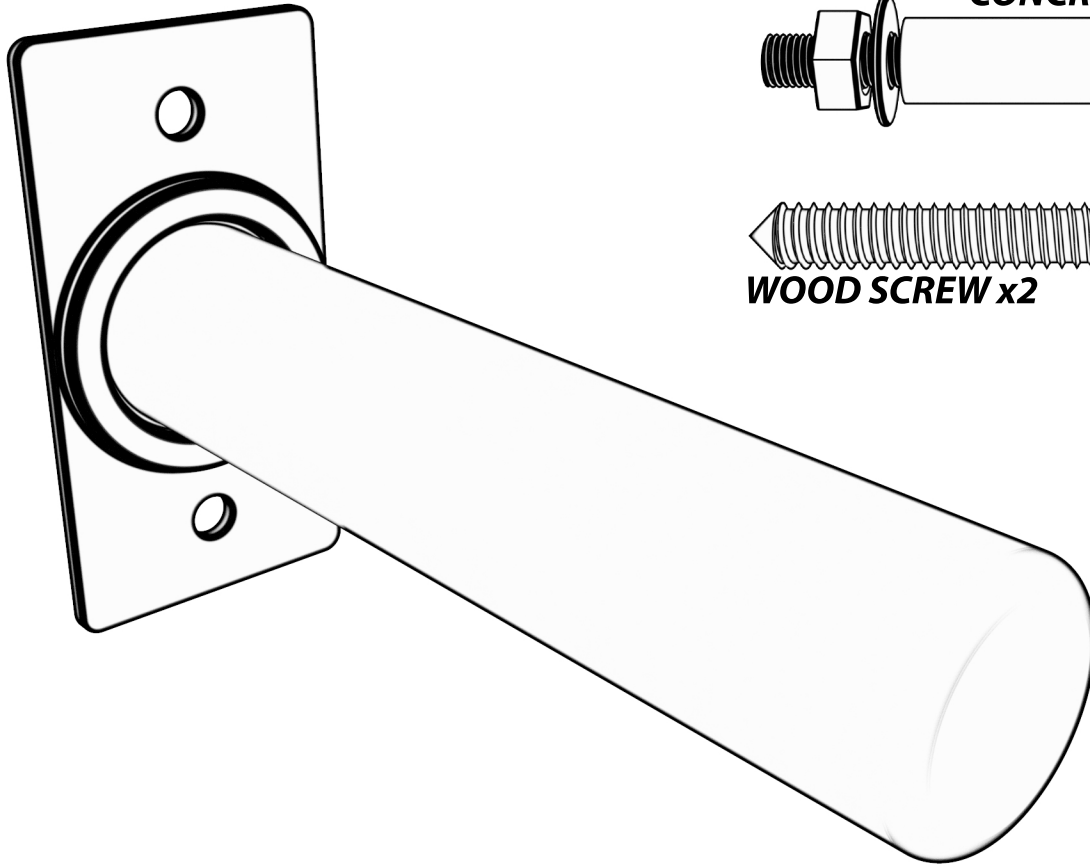
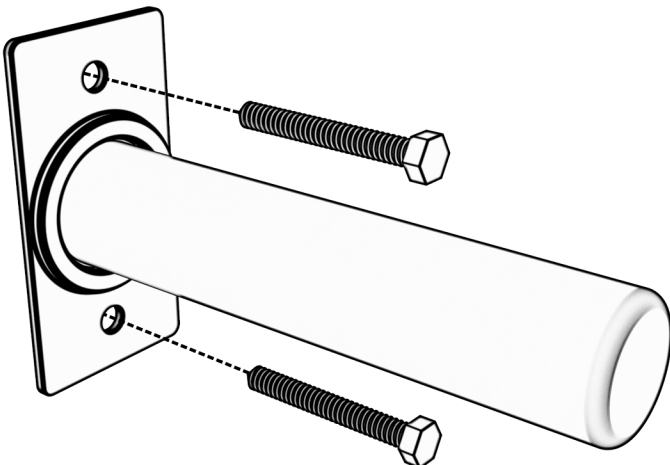


SYNERGEE

WEIGHT PLATE STORAGE PEG

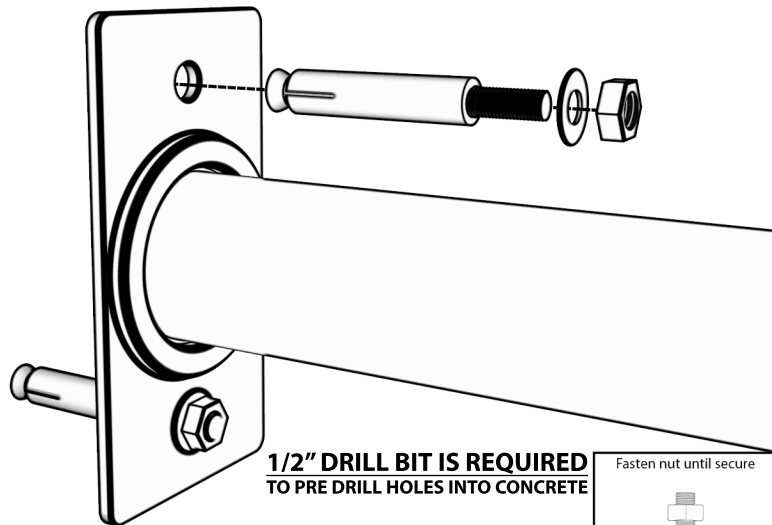


WOOD INSTALLATION



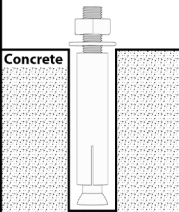
LOCATE WOOD STUD AND FASTEN WOOD SCREWS UNTIL SECURE

CONCRETE INSTALLATION



1/2" DRILL BIT IS REQUIRED TO PRE DRILL HOLES INTO CONCRETE

Fasten nut until secure



INSTALL CONCRETE SCREWS INTO PRE-DRILLED HOLES IN CONCRETE AND FASTEN NUTS UNTIL SECURE